

Hosting & Managed Services

ExeVision offers several deployment options for the iPD Project Development solution allowing you to choose the most effective implementation for your needs. If your DOT is exploring outsourcing IT services, ExeVision offers a managed hosting solution that may reduce your capital expenditures (system and database administration, infrastructure hardware, etc.). By providing the equipment and the IT professionals to manage your iPD Project Development system, we allow you to stay focused on what matters most—your bid lettings and your DOT's road and bridge construction.

A hosting solution is only as good as its infrastructure. That's why we have chosen ViaWest's world class, solid infrastructure as the starting point for an iPD hosted solution—built with redundancy, security, and performance in mind. It is our highest priority to protect your mission-critical business applications and ensure that your DOT's project development system is running at peak performance—always.

Of course, you may choose to host the iPD solution internally if that option best represents your IT model. Our hosting approach is consistent with our entire iPD product philosophy—the choice is yours and you make the implementation decisions that best fulfill the needs for your DOT.

State-of-the-Art Data Centers

ExeVision's hosting partner, ViaWest, is a SAS-70 certified data center located in Utah and Colorado with 13 geographically diverse Network Operations Centers (NOC) for critical monitoring. Being in the most disaster safe geographical zone of the U.S., Utah is one of the best locations for your primary data center or disaster recovery site. With hundreds of satisfied customers located across the United States, ViaWest is one of the most respected collocation providers in the Intermountain region with a track record of 100% availability for power, bandwidth, and network components since 2001.

Managed Services

To ensure that fully functioning systems are available to the user, our data centers provide 24x7x365 onsite skilled professionals that keep systems and applications operating efficiently. Databases are tuned and maintained by installing patches, updates and monitoring their health. Regularly scheduled system audits are performed including power, cooling, airflow analysis, and infrared heat inspections, and any required systems maintenance is performed. The data centers and collocation facilities also provide around-the-clock system monitoring to identify and correct system issues before they become operational problems. Because of the in-house expertise, over 80% of all issues are resolved without customer involvement.

Data Center Connectivity

ViaWest data centers are carrier neutral, providing the most reliable and lowest latency solutions available. The data center facilities offer a multi-carrier solution including AT&T, Level 3, Time Warner, and Qwest network providers to ensure connectivity. Bandwidth solutions are redundant within data centers, between data centers, and at the carrier level to minimize the significant risk of downtime when using a single Internet carrier.

Power Delivery

Providing clean, uninterruptible power is a critical component of a competent data center's responsibility. iPD hosting solutions are protected by several layers of redundancy to ensure uninterruptible power delivery. Backup generators, UPS and ATS systems are all components of the uninterruptible power supply.

Fire Suppression

The state-of-the-art data center infrastructure includes certified incipient smoke detection and dry-pipe fire suppression systems. Advanced early warning detection solutions provide the earliest possible notice of an impending fire hazard, reducing the likelihood of injury, property damage or business disruption.

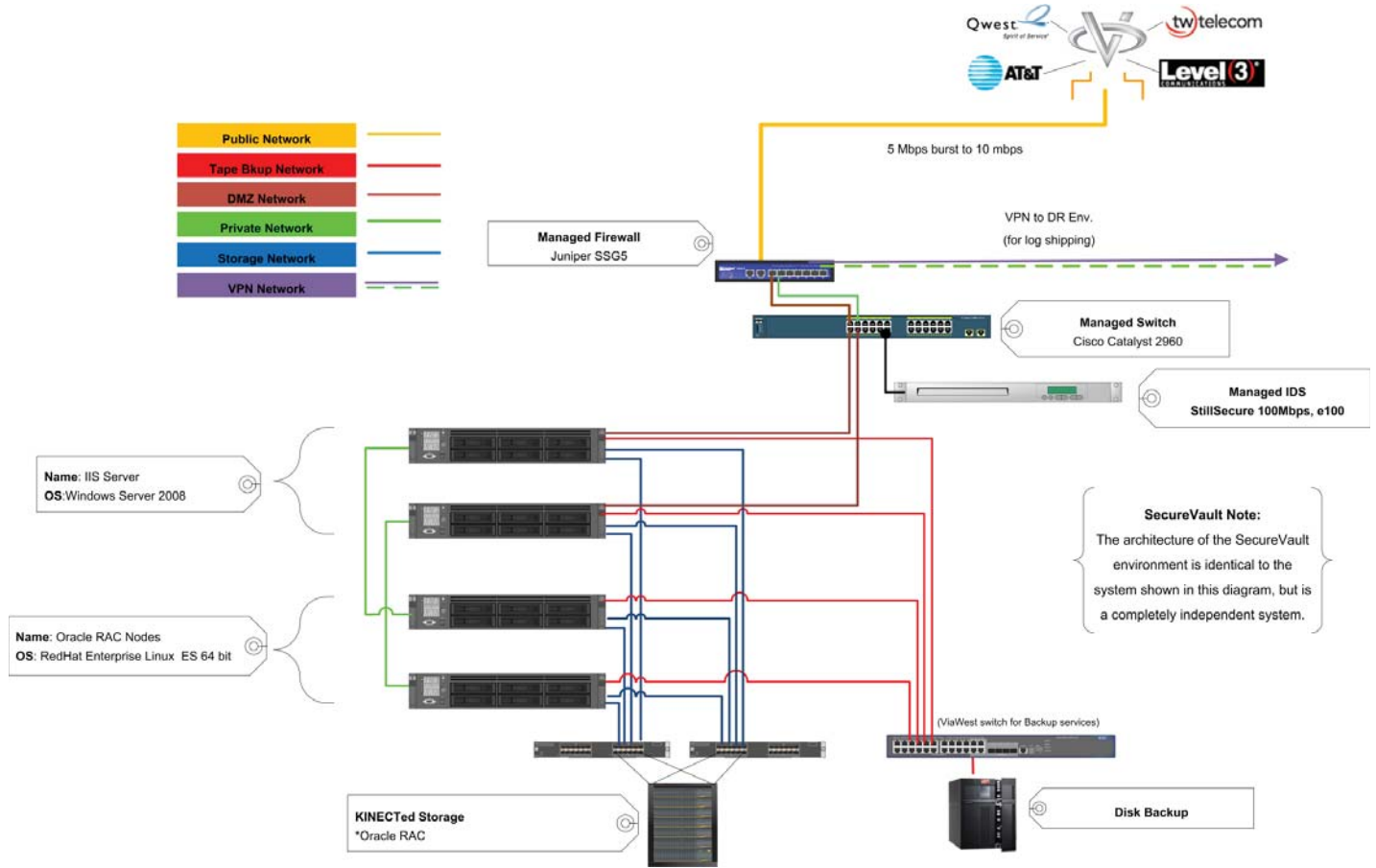
Data Center Cooling

Data center cooling is accomplished using raised flooring for cable runs and cool air delivery. Hot and cold aisle configurations are used for maximum system cooling efficiency.

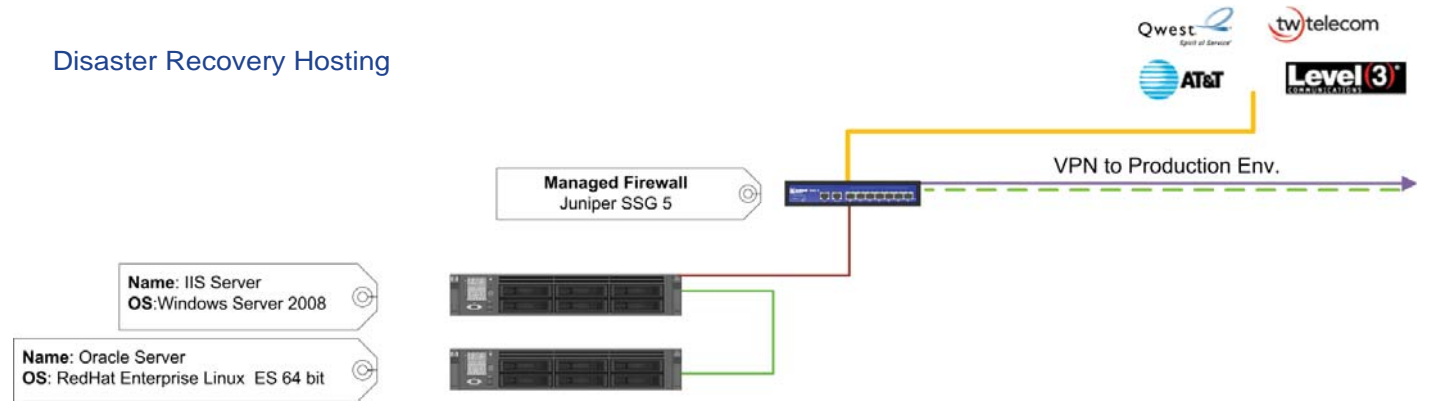
Denver Colorado and Salt Lake City data center/managed services facilities

- SAS-70 Certified
- 100% uptime and availability since 2001
- Advanced equipment cooling technology
- Multi-layer, redundant power systems
- Redundant multi-carrier network (4+ Tier 1 providers)
- 24x7 video surveillance/biometric security





Disaster Recovery Hosting



About iPD

The integrated Project Development (iPD) solution by ExeVision is a comprehensive construction project development and management system, fully integrating all functional aspects of road and bridge construction from electronic bidding through final contractor payment. In cooperation with the Utah Department of Transportation, the award-winning PDBS system was written over many years. Now in production for more than a decade, the system provides substantial time and cost savings for the state DOTs that have implemented the iPD solution.

For more information or a live demonstration at your location:

Robert Millet: rmillet@exevision.com or toll free at (866) 304-2844



226 East 860 South
 Orem, UT 84058
 Toll Free: (866) 304-2844
 www.ipdsoftware.com